

ASSOCIATION OF PAEDIATRIC CHARTERED PHYSIOTHERAPISTS

Chairman: Mrs. J. Biddle,
Medical Advisory Unit,
Martindale Road,
Mounslow. TW4 7ME

Vice Chairman

Miss R. Dawson,
19 Main Street,
East Bridgford.
Nottingham.

Hon. Treasurer

Miss E. Bush,
Dept. of Physical Medicine,
Hospital for Sick Children,
Great Ormond Street,
London. W.C.1.

Hon. Secretary

Miss C. Mason,
43 Knotts Green Road,
Leyton,
LONDON. E.10

Newsletter Editor

Miss M.E. Carrington,
Hon. P.R.O.
202, Boroughbridge Road,
York. YO2 6BD

NEWSLETTER NO.11 MAY 1979

Proceedings of 6th Annual Conference 1979

Held at the Queen's Medical Centre, Nottingham, from 20th - 22nd April, the theme "The Handicapped Child Ordinary or Special?" attracted approximately 100 delegates from several disciplines to what proved to be a most stimulating weekend which will have far reaching effects for members. The six varied lectures illustrated well the optimal use of professional skills in ensuring the best possible opportunities for handicapped children in terms of assessment, placement for education, special educational help and development through the arts. The use of parents as a major resource in making all of this valid was discussed by Dr. E. Newson of the Child Development Research Unit, Nottingham University.

Members were very appreciative of the warm hospitality extended to them by the Lord Mayor and Sheriff of the City of Nottingham at a Civic reception held in the elegant surroundings of the Council House. The Conference dinner in Cavendish Wall, University of Nottingham, was a memorable event enhanced by the presence of Professor J. Willcocks, a past member of Council, who gave a witty if controversial after dinner speech.

At the Annual General Meeting on Sunday, the Chairman, Mrs. Biddle, referred to the increasing recognition of Paediatric Physiotherapists as specialists, but reminded members that the splendid past record, with regard to organisation of courses on over 50 topics since 1974, could only be maintained by a corporate effort to be aware of change, progress and innovations.

There will be a fuller account of the Conference in the June issue of the Journal. Special thanks to Miss R. Dawson and her Committee for a most successful and enjoyable weekend.

From the National Treasurer

The overall result of the year ending 31.12.78 was a surplus of £1030. The excess of our assets over our liabilities now stands at a figure of £6307 of which £3586 is invested in the Abbey National Building Society.

I would like to thank members for all their hard work in raising income to enable the Association to continue in a satisfactory financial state.

Membership and Subscriptions

Would members who usually pay by Banker's Order please check that their Bank has been notified of the change of Bank and check that this year's Order has been paid. If you wish to pay by Banker's Order will you let me know when you have made the appropriate arrangements with your Bank.

The details are as follows:-

| | |
|-------------------------|--|
| <u>Bank</u> | Williams & Glyn's Bank Limited, 28 Great Ormond Street, London. W.C.1. |
| <u>Sorting Code No.</u> | 16 - 10 - 18 |
| <u>Credit of APCP</u> | Account No. 10277582 |
| <u>Amount</u> | £1.00 |

or send your subscription (preferably not cash) to Miss E. Bush, Department of Physical Medicine, Hospital for Sick Children, Great Ormond Street, London, W.C.1. Please PRINT your name and address - work and home clearly - and send plus S.A.E. and a membership card, and receipt will be sent in return. There are still a large number of members who have not paid their subscriptions for 1979. Reminders for overdue subscriptions will be sent in May.

If anyone would like a detailed copy of the Annual accounts please contact Miss E. Bush.

NATIONAL EXECUTIVE COMMITTEE 1979

In addition to the Officers on Page 1: -

| | |
|--|--|
| Miss A. Grimley, M.C.S.P. Royal Manchester Children's Hospital Pendlebury, Manchester M27 1HA | Co-opted member with responsibility for education |
| Mrs. P. Kay, M.C.S.P. 19, Emscote Road, Warwick, CV34 4PL | Mrs. O. Nettles, M.C.S.P. 25 Goff's Park Road, Crawley, Sussex. (APCP Publications) |
| Mr. J. Harris, M.C.S.P. 25 Station Road, Menston Yorks. | Miss A. Smith, M.C.S.P. Claremont School Menlease Park Westbury on Trym, Bristol. |

REGIONAL REPRESENTATIVESScotland

Miss C. Sobkowiak, M.C.S.P.
Royal Hospital for Sick Children
Edinburgh 9.

East Anglia

Mrs. M.E. Norris, M.C.S.P.
10 Oakfields Road
Knebworth, Herts.

North East

Mrs. J. Simpson M.C.S.P.
Prescott Place
Stainland
Molywell Green, Halifax.

North West

Mrs. P. Eckersley, M.C.S.P.
62 Goulden Road
Didsbury, Manchester, M20 9YF

Midlands

Miss R. Dawson, M.C.S.P.
19 Main Street,
West Bridgford
Nottingham

Wales

Mrs. W. Williams, M.C.S.P.
12, Gellogaer Gardens
Cathays
Cardiff.

Miss Wheatley has RETIRED and needs a SUCCESSOR. Volunteers please

London

Mrs. M. Whyte, M.C.S.P.
Queen Elizabeth Hospital for Children
Wackney Road,
London, E.2.

South East

Miss P. Charon M.C.S.P.
Physiotherapy Dept.
Royal Alexandra Children's Hospital
Brighton, Sussex

South West

Miss D. Wheatley M.C.S.P.
22 Glebelands Close
West Stafford.
Dorchester, Dorset.

DIFFERENCES IN PARENTAL ATTITUDE IN ANOTHER CULTURE

Mrs. J. Simpson, M.C.S.P.
N.E. Regional Representative

Between November 1973 and May 1976 I worked at the Mount of David Orthopaedic Hospital in Bethlehem, which although in Israel, is on the West Bank of the River Jordan, so it was mainly Arab children with whom I worked. The hospital was primarily for children and had the usual sort of patients except for the high proportion of congenital abnormalities, due to the frequent intermarriage of first cousins in Moslem families. I did a 2½ year study on C.D.H. which was published in Physiotherapy January 1977. Other cases seen ranged from simple fractures to complex hand injuries caused by donkey bites! I saw very few mentally handicapped children, partly as there was still a relatively high mortality rate of babies and partly as these children were not accepted socially and tended to be hidden away. Often they were taken to be cared for by missions and subsequently abandoned. There were no special schools or training facilities for children with special needs and any help was usually given by Europeans. The few mentally handicapped children I did see had extremely caring parents, who were in desperate need of support and an advisory service. One of the most common causes of brain damage after birth was accidental injury.

The hospital was a non-paying centre for patients which was very unusual in that area, so it had almost a total drain on children in the West Bank. The majority of the people were very poor but parents insisted on showing their gratitude, as one never accepted anything without giving in return. They would come laden with produce so that sometimes the department looked like a market garden! It would have been a great insult not to accept. Sugar was a large part of their diet but funnily enough very few children were over weight. They had tremendous dental problems!

Unfortunately modern medicine was still regarded with suspicion by many parents who delayed bringing the children, although this did improve as the hospital got a name. There were still village medicine men whom parents went to at great expense. "Fire medicine" was popular, supposedly curing anything from polio to arthritis and based on the idea of cupping as a counter-irritant. It was not unusual to see a child with resultant superficial burns. Fractures were treated by immobilisation in a type of plaster made of chick-pea paste, egg, and herbs, and held together by wooden slats which often caused damage, to the point of gangrene. This situation could have been avoided if parents had not suffered through ignorance and fear.

On the whole parents were very caring and had huge families. They always visited in-patient children bringing lots of food, and picnicing in the mission. Boys were still regarded more highly than girls so tended to come with their problems earlier - especially with C.D.M. whereas parents left girls until aged 9 or 10 when fathers began to think of marriage plans and did not want a crippled child for a bride. This attitude began at birth with congratulations for a male child and commiserations for a female child. As more children received treatment and word spread to the villages, younger children were brought, including girls.

The very cooperative parents would bring the children many miles for treatment either walking or riding on donkeys over rough terrain for up to three hours and coping with rain and bad weather. It makes one think, when people here always demand ambulances to come the shortest distance. Snow, however, defeated everyone and everything including the electricity.

We did have difficulty persuading parents of very young babies with Klumpke's or Erb's Palsy or Polio to abandon the habit of swaddling for the first 40 days of life in favour of allowing freedom of arm movement, but on the whole parents did try to do as requested. Language problems caused hilarity and my fumbling Arabic was patiently accepted. The children were the best teachers and extremely tolerant.

The Arabic language is full of culture and all the many sayings and pleasantries that had to be exchanged to make a conversation were fascinating. Hospitality was most important, however poor the living circumstances. The welcome we received was tremendous when visiting even the simplest of homes, and I often wonder if our complex society has not lost a great deal that these people could teach us. I know that I learnt much about people and parents' attitudes during my 2½ year experience and hope it has stood me in good stead to go on helping parents here.

On October 21st 1978 Miss Margaret Harding who was South East Regional Representative and Assistant Minute Secretary for A.P.C.P. became Mrs. French. Our very best wishes to you.

MEDICAL REHABILITATION AND DEMONSTRATION CENTRES

Six years ago the D.H.S.S. designated certain N.H.S. facilities as demonstration centres which were given a capital grant to demonstrate locally or nationally what could be done to treat and rehabilitate particular groups of patients. What each one does varies but usually includes some teaching and demonstration of equipment. One is used as a half-way house for disabled people entering the community from institutional settings. One at Wakefield is unique in that it offers an information service in the form of a monthly Rehabilitation bulletin, free of charge, which is in three parts:-

1. Survey of articles from Journals
2. New publications and audio-visual teaching aids.
3. Notices of courses.

Many paediatric journals are covered in part one. Part three could be an extra outlet for A.P.C.P. course notices! Copies of any article required can be obtained via-Boston Spa National Scientific Library at 5p per page from:- Mrs. A. Salkeld, Information Officer, National Demonstration Centre, Pinderfields General Hospital, Wakefield, W. Yorks WF1 4DG. There are seventeen centres all together. Find out what your local one can do for you.

T.U.C. Affiliation

The Council of the C.S.P. in March endorsed the opinion of the Industrial Relations Committee that it would be in the best interests of the Society to seek affiliation to the T.U.C. Council agreed that the membership of the C.S.P. should be consulted and will be deciding how best to do this in June. Meanwhile you are asked to attend your branch meetings to discuss this proposal. See April Journal for background information.

Physiotherapy Aides and Unsupervised Duties.

In reply to a query from a paediatric physiotherapist wanting information on what duties an aide should be allowed to carry out in the absence of the physiotherapist in charge of the child, Mrs. Biddle, A.P.C.P. Chairman writes - I personally feel that if the aide has been sufficiently trained by a qualified physiotherapist to carry out specific skills e.g. putting on calipers, then she can be left for short periods to do this. I would certainly not allow supervision of an aide by either a nurse or a teacher. In the Society's view help given by an aide on her own would not be more than the "instructive help" relatives might be asked to give patients at home, after instruction from the physiotherapist.

Equipment.

A useful toilet training aid for spastic children has been designed by Mr. W.J.Lyle, Senior Nursing Officer at Harperbury Hospital which is made from a heavy duty polythene, empty bleach container from the hospital laundry. The cost is £5, being the returnable deposit on the containers which are manufactured under the trade name of "Wardrums" by Francis Ward Ltd., Orpington, Kent, under patents no. 881529 and 1297050. The firm has not been approached as to actual cost of the containers. A seat to fit over an ordinary toilet or a mini-commode chair for younger children can be made. In addition, the same container suitably upholstered and fitted with castors makes a comfortable mobile chair. The containers are barrel shaped and can be cut with a handyman's knife to provide a chair shape with a leg opening. Making instructions and drawings are available from Diana Ewart, The Spastics Society, 16, Fitzroy Square, London, W1P 5HQ.

The Tripillow

A V-shaped polyester filled cushion in a cotton cover is available from Concraig, Dept. TSM403, 55 Pall Mall, London, SW1Y 5JH, Price: £12.49 + 85p. p & p. Used with the point of the V behind the head, Miss Cynthia Mason suggests the pillow is similar to one devised by herself for positioning severely handicapped children in easy chairs. Another from Wundarest Products, Chester House, Windsor End, Beaconsfield, Bucks HP9 2JJ.

E.S.N. Aids

Catalogue includes side lying boards, Cheyne Buggy Insert, a potty chair for the older handicapped child (8 to 14 years) which is adjustable and various simple toys. Some items are expensive but well worth having. Contact J.F. King, 188, Perrysfield Road, Cheshunt, Herts, EN8 0TW. Tel. Hoddesdon 60153

Explorer Pushchair

Very useful for the child in a frog plaster as it consists of a platform with a back and no arm rests. Available from Lawrence Wilson & Son Ltd. Silver Cross Works, Guiseley, Leeds LS20 5LP

Carousel Play Furniture

This firm makes a sturdy rocker with foot and handholes so accommodating up to four children. Turned upside down it becomes a slide. Also available is an adjustable low chair and desk combination. The angle of tilt of the desk can be altered as well as the height. A set of three hollow boxes and connecting rods - the playpod - is extremely useful for the therapist in treatment, as it provides a variety of play levels, from kneeling to standing, for the child. All items are bright red yellow and blue. From:- Carousel Play Furniture, Certex Ltd., Snaygill Industrial Estate, Keighley Road, Skipton, N. Yorks, BD23 2QR

HELP!

Miss Gow, Physiotherapist in charge of the Paul Sandifer Day Centre, Hospital for Sick Children, Great Ormond Street, London, W.C.1. is collecting information on aids and equipment e.g. for feeding, bathroom aids, chairs, mobility for handicapped children. If you have items of special interest or adaptations you have made please send details to the Secretary at the above address.

The following Books may be useful

1. Disability Rights handbook. Comprehensive Guide to special entitlements. Published by - Disability Alliance, 7 Netherhall Gardens, London NW3 5RJ. 75p inc. p & p.
2. The Garden and the Handicapped Child. Patricia Elliott. Disabled Living Foundation, 346 Kensington High Street, London, W14 8NS. £2.50 inc. postage.
3. Therapy Through Play. Ivonny Lindquist. Arlington Books (Publishers) Ltd., Written for parents and professionals it covers play programmes for children in hospital, particularly attuned to their individual needs and limitations based on years of experience in Sweden. £1.95
4. Can't Your Child See? Scott, Jan and Freeman. From: M.T.P.PRESS Ltd., Lancaster, England. Published by University Park Press, Baltimore, U.S.A. For medical and non-medical professionals, a family-centered book covering everything from the impact of diagnosis to the development of a specific management programme for the visually handicapped child. £5.50
5. Posture. Robert Roaf. Academic Press. For all those in the medical or remedial professions. A discussion on the origin and development of the upright posture in man, the mechanisms of postural control and the remediation of problems. £3.80

6. Rehabilitation of Arm Amputees and Limb Deficient Children.
E Robertson M.B.A O.T, Bailliere Tindall.
Aimed at all therapists, doctors and teachers this book is full of practical information and is written by the head O.T. at Queen Mary's Hospital, Roehampton, London. £7.50
7. Chailey Heritage Rehabilitation Engineering Unit have started to market several of their aids directly. They would welcome your comments and ideas on their usefulness. The range available can be seen in "Aids for Independence". 10p
Rehabilitation Engineering Unit, Chailey Heritage, Lewes. E.Sussex.
From the same address - Who can help you. 10p The third in the Information for Independence series of booklets. It gives organisations and publications for those involved in the care of the handicapped.

"The Make Children Happy" Charity with a difference has set up a company to earn money rather than competing for donations with other charities. This successful approach has enabled grants to be made mainly to smaller organisations and voluntary workers at grass roots level.
Requests for grants or information to Make Children Happy, Francis Street
London. S.W.1.

Riding for the Disabled

For the next three years Lloyds Bank are to sponsor the Riding for the Disabled Association's plan to organise a competition on a national scale to find more of the most suitable horses or ponies that could be used by disabled riders. The bank will also sponsor some therapists, working with R.D.A. groups, to go on basic equestrian courses, so giving them a better idea of what is involved. The organisation has also branched into driving for people who are too disabled to ride.

Name Change I.M.S.

Institute of Mental Subnormality becomes The British Institute of Mental Handicap on the 1st June 1979.

Do you know of a building which has been designed or adapted for use by the disabled? The Centre on Environment for the Handicapped is compiling a national register of such buildings for the benefit of architects and planners so that useful ideas can be passed on. Information particularly about small scale adaptations or single houses especially welcome. C.E.H. is at 126 Albert Street, London. NW1 7NF. Tel.01.267.6111

McClelland Video David and Patricia McClelland, 7 Quayside, Neston, South Wirral, Cheshire, L64 0TB. Run by teachers with particular experience of video, this is a freelance service. A lecture demonstration for 100 people or a practical workshop not exceeding 20 people would cost approx. £50 daily for two staff and their equipment. If you are organising a course on video or need advice send your objectives, details of target personnel, venue etc. to the above address.

Free leaflets

Several firms produce useful free information on request.

1. Clinical assessment of gestational age in the newborn infant.
Dubowitz. From Cow & Gate Ltd. Trowbridge. Wiltshire BA14 8HZ
2. Examining the Newborn Baby. Cow & Gate

3. Screening for the dysmature infant. Wyeth Laboratories, Taplow, Maidenhead, Berks.

Annual Conference 1980

Hosts are the London Region. Date: April 11th - 13th.
Venue Goldsmith's College, London.
Theme. "The Adolescent - After School What?"

Invitation from Northern Ireland 1981

You are requested to consider an invitation from the Northern Ireland Paediatric Physiotherapists to participate in a joint Paediatric Physiotherapy Conference at Ulster Polytechnic College, Newtownabbey, Co. Antrim. For our A.G.M. we must have 10% of the membership present so your answers are needed for planning purposes. Group travel arrangements could be arranged to reduce cost. Many physiotherapists from Northern Ireland and Eire support activities in the United Kingdom and they would welcome our reciprocal interest most warmly. Please use the enclosed reply slip to contact your regional representative.

Courses and Regional News

Bobath Refresher Week for therapists who have done the full 8 week Children's Course already. Royal Manchester Children's Hospital Pendlebury (Parkfield School). August 6 - 10th. See March Journal for details.

Association of Professions for the Mentally Handicapped

Sixth Annual Congress 10 - 13 July 1979. Edinburgh University. Theme - Assessment. Then What? Topics include the Jay Report. Application before June 1st to Barbara Hamilton, A.P.M.H. Conference Organiser, Social Work Dept. Fisherrow School, South Street, Musselburgh.

Scotland

Thanks to Ann Murdoch for her hard work during four years of office as Regional Rep. She is still involved in organising courses. Autumn 1978 Treatment of Hemiplegia in Glasgow, and Music and Movement in Edinburgh. Members - 57

North East

Sadly due to the venue being cut off by snow the day course on Spina Bifida at Pendower Hall School on March 17th had to be cancelled disappointing over 70 people. The A.G.M. was held on 9th April at Seacroft Hospital, Leeds. Miss C. Pearson, Chairman, and Mrs. S. Wilde retired from office with our sincere thanks. Miss Carrington resigned as Regional Rep. and is now Hon. P.R.O. Mrs. J. Simpson was elected Regional Rep. Chairman. Mrs. Z. Crossley. Secretary Mrs. J. Simpson, Treasurer Mrs. S. Jessop. Three new Committee members were elected.
Future courses: 19th June. 7.30 p.m. "The Use of Video for Recording Purposes". Mr. D. Lucas, Leeds University T.V. Centre. Venue : Broomfield Special School, Leeds.

6th Oct. Day Course. The "ESN (S) Physically Handicapped Child in the Special Care Unit". Regional Health Headquarters, Harrogate.

November. Day Course. Proposed re-run of the postponed Spina Bifida course at Pendower Hall School in a shortened form.

Details of programmes as available contact N.E. Regional Rep. M. J. Simpson.

Number of members 106

North West

February 17th. Royal Manchester Children's Hospital. A day on Neuro-orthopaedics was attended by 78 people despite the weather. The February Annual General Meeting was attended by 50 members. Officers elected were Chairman Miss A. Grimley, Secretary Miss B. Mallinson, Regional Representative Mrs. P. Eckersley. Two new members were elected to the committee. Unfortunately Miss Mallinson has had to resign.

Future plans include a day on the "Ill Child", i.e. intensive care, non-accidental injury, burns, etc., and a study day on Mental Handicap.

Number of members 103.

Midlands

- Nottingham. Paediatric Interest Group well established with 100 members of all disciplines. Quarterly evening meetings since October have included language development, genetic counselling and paediatric neurology. Next meeting is 27th June at 8 p.m. in Post Graduate Medical Centre, City Hospital, Nottingham. Speakers will be pre-school adviser and nursing officer from a special care unit on facilities.
- Mansfield. Regular meetings on C.P. continue with anticonvulsant therapy.
- Leicester. A.H.A. monthly seminar on Child Development. Next is 1st May at 4.15 p.m. Mr. and Mrs. Jones on "Visual Handicap in an Educational Context".
5th June. 4.15 p.m. "Facing the World Together - Families and their special needs."
Both at Ashfield School, Leicester.
- Birmingham. February saw a successful day course for 50 multi-disciplinary delegates at Stourbridge on "The Paediatric Team in Mental Handicap".
8th March. A.G.M. of Birmingham sub-committee plus Fison's film on asthma. Buffet supplied by the firm. Mrs. Tina Hackett retired as Chairman after doing a mammoth job and was succeeded by Mrs. Katie Hollis.

For a week in March to highlight the International Year of the Child and to acquaint Nottingham public of Paediatric Physiotherapy, a window display was mounted in the Woolwich Equitable Building Society. Acknowledgements - Miss E. Carrington, the C.S.P. and Aspley Wood School for photographs. Children of Aspley Wood School for models and paintings. Jane Bingham, O.T. - printing.

Wales

This region is still experiencing difficulties. The Annual General Meeting was held in September 1978 to assess interest. Members are optimistic for the future, however. Members 23.

East Anglia

Annual General Meeting at Lonsdale School, Stevenage in October 1978. Mrs. M. Walters resigned as Regional Representative and was succeeded by Mrs. M. Norris. Mrs. Walters was thanked for her work for the region during the past few years. Also a study day was held on Halliwick Swimming, Speaker Dr. Joan Martin. 32 people attended. 23rd January Oxford. Talk by two physiotherapists who had attended the Cheyne Walk Spastics Centre Course. March 6th. Oxford. Talk on "Dyslexia".

April 3rd. Oxford. "Setting up a Resource Centre". Dr. J. Parfit.

Future Events. 1st May. 7.30 p.m. Hugh Ellis Assessment Centre, Churchill Hospital, Oxford. Spastics Society Psychologist will talk on "Spastics Society Assessments".

8th May. 7.30 p.m. Lonsdale School, Stevenage, Music Therapy.

Oct. 13th. Lonsdale School. Regional A.G.M. and talk on "Bliss Symbols"

Members 81

London.

In addition to the Regional Representative, Treasurer, P.R.O. and Secretary, there is a committee of seven who are planning the next national conference. Two A.P.C.P. members have been elected as Paediatric representatives to the North East and North West. Thames local boards of the C.S.P. The regional A.G.M. was held in February with a day on "communications". Future courses planned are Non Verbal Communication and the Paediatric Physiotherapist, Behaviour Modification, Day Course on Epilepsy in October and Regional A.G.M. in 1980 with the theme "Parent Counselling".

Members 139

South East

February - Royal Alexandra Children's Hospital. Bobath method of treatment for C.P's. Attended by 32 people. Speakers included Valerie Moffatt, Speech Therapist, and Mrs. J. Bryce, Physiotherapist, who also gave an inspiring practical demonstration. Future plans. Autumn. A day at an Adult Residential Assessment Centre and a social evening for members to meet informally.

Members 84

South West

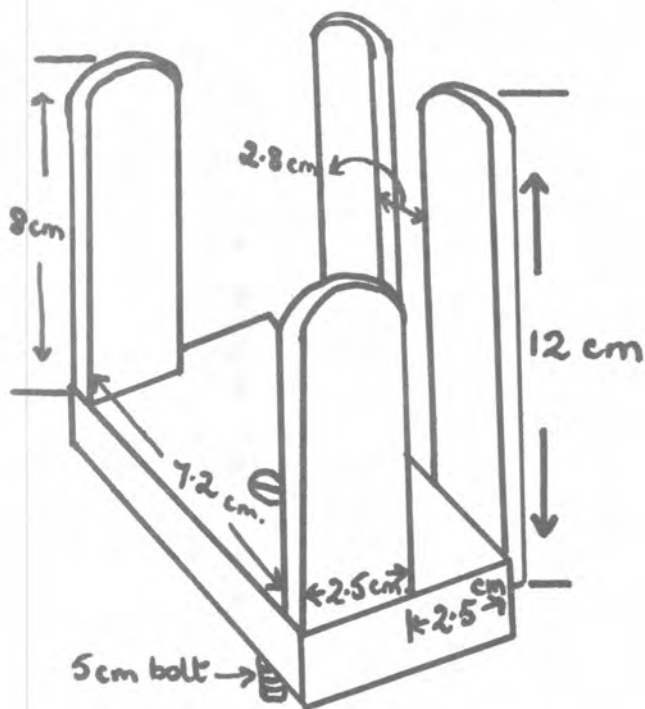
February 28th. Curnow Special School (ESN(S)) in Redruth, Cornwall. Day Course in "Movement" by Veronica Sherbourne, who also demonstrated on some children. 42 people attended from several disciplines including a paediatrician. Follow up for course attendees - V. Sherbourne's film "A sense of movement".

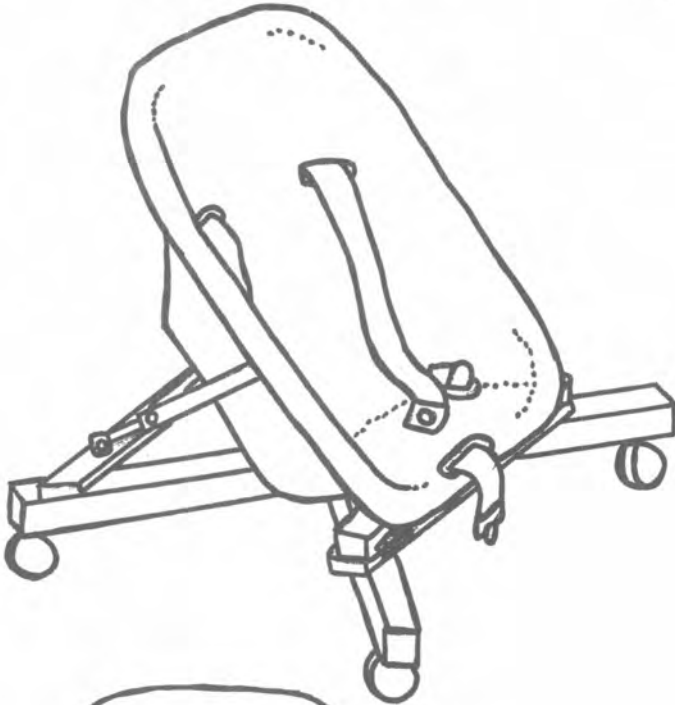
Members. 89

Holder for Fischer Price Music Box Mobile to convert it from cot-side fitting to flat surface fitting for e.g. tray of corner seat or standing box.

Base is 9cm x 5 cm with a bolt (head countersunk) through the centre. The device is fitted through a drilled hole on the flat surface and fixed with a Wing nut.

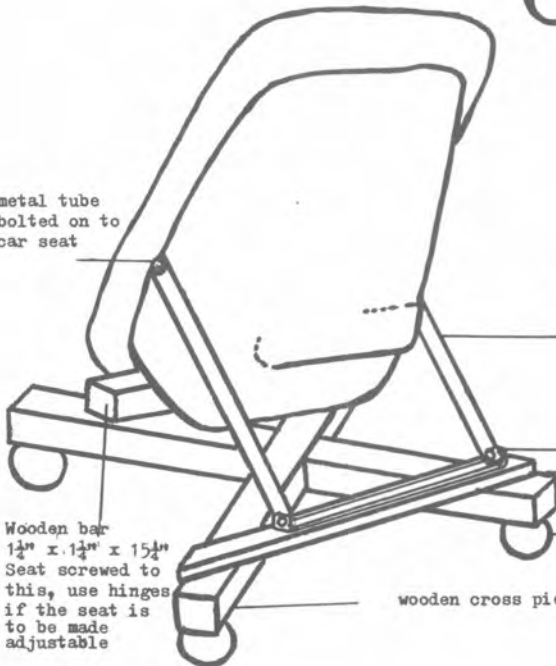
Next Newsletter will contain contributions from the London Region





metal tube
bolted on to
car seat

10 $\frac{3}{4}$ " of approx. $\frac{3}{8}$ " metal tubing
if an adjustable section is included
here the angle of the seat can be
varied



14" length metal bar $\frac{1}{2}$ " x $\frac{1}{4}$ "

wooden bar $1\frac{1}{4}$ " x $\frac{3}{4}$ " x $19\frac{1}{2}$ "

Shepherds castors

Wooden bar
 $1\frac{1}{4}$ " x $1\frac{1}{4}$ " x $15\frac{1}{4}$ "
Seat screwed to
this, use hinges
if the seat is
to be made
adjustable

wooden cross pieces $1\frac{1}{4}$ " x $1\frac{1}{4}$ " x $27\frac{1}{2}$ "